

# Sprockets



# BLACK ACE® SPROCKETS

Sprockets play an integral role when conveying product. Whether it's on an assembly line that runs 24/7, or an agricultural harvester used annually, production halts when sprockets don't perform. Longevity of sprocket life is not only beneficial in initial sprocket cost and downtime, but also in the life of the chain. When sprocket wear occurs, chain life degrades due to sprockets no longer being in pitch with chain. Black Ace® sprockets provide long life and accurate pitch integrity to reduce operational costs in multiple industries.



**Agricultural Roller Chain**  
page 4 - 5



**Belted Chain**  
page 6 - 11



**Combination Chain**  
page 12 - 13



**Detachable Chain**  
page 14 - 15



**Double Pitch Roller Chain**  
page 16 - 17



**Engineering Class Chain**  
page 18 - 19



**High Profile Belted Chain**  
page 20 - 21



**Hook Chain**  
page 22 - 23



**Pintle Chain**  
page 24 - 25



**T-Bar Chain**  
page 26 - 27



**Specialty**  
page 27



**Black Ace®** sprockets provide long life and accurate pitch integrity to reduce operational costs in multiple industries. Our flame-cut hardened steel sprockets are available for virtually all applications and come in many styles. We also provide many options for custom applications and mounting requirements.

## Sprocket Profile - The Teeth of Your Production

- Flame-cut with precision for accurate pitch integrity and long life
- Hardened sprockets available for virtually all styles and applications
- Custom applications available upon request
- Thicknesses ranging from 5/8" to 4"

## Split Style Construction - An Easy Cinch

- For convenience and reduced downtime, our sprockets are split as a standard. Pitch integrity is maintained due to our manufacturing process.
- The split sprocket has a dual purpose: make installation fast and easy, and clamp onto the shaft. Set screws are not necessary with our split sprocket.
- Multiple bore and keyway configurations available
- Grade 5 bolts hold the mated halves together
- Multiple mountings available

Visit [blackaceparts.com](http://blackaceparts.com) to view the latest product specs or to request more information on a specific sprocket using our custom detail options chart.

**KEEP YOUR EQUIPMENT ON TRACK.**

# AGRICULTURAL ROLLER CHAIN SPROCKETS



# OF TEETH	SPROCKET	OUTSIDE DIAMETER
550 CHAIN		
6	5506	3.98
7	5507	4.48
8	5508	4.98
9	5509	5.49
10	55010	6.00
11	55011	6.51
12	55012	7.02
13	55013	7.53
14	55014	8.05
15	55015	8.56
16	55016	9.08
17	55017	9.59
18	55018	10.11
19	55019	10.62
20	55020	11.14
555 CHAIN		
6	5556	3.94
7	5557	4.43
8	5558	4.94
9	5559	5.44
10	55510	5.95
11	55511	6.46
12	55512	6.97
13	55513	7.49
14	55514	8.00
15	55515	8.52
16	55516	9.03
17	55517	9.55
18	55518	10.06
19	55519	10.58
20	55520	11.10

# OF TEETH	SPROCKET	OUTSIDE DIAMETER
557 CHAIN		
6	5576	3.98
7	5577	4.48
8	5578	4.98
9	5579	5.49
10	55710	6.00
11	55711	6.51
12	55712	7.02
13	55713	7.53
14	55714	8.05
15	55715	8.56
16	55716	9.08
17	55717	9.59
18	55718	10.11
19	55719	10.62
20	55720	11.14
620 CHAIN		
6	6206	4.02
7	6207	4.53
8	6208	5.04
9	6209	5.55
10	62010	6.07
11	62011	6.59
12	62012	7.11
13	62013	7.63
14	62014	8.15
15	62015	8.67
16	62016	9.19
17	62017	9.72
18	62018	10.24
19	62019	10.76
20	62020	11.29

**Black Ace** Agricultural Roller Chain Sprockets are manufactured with the highest integrity. You will realize value, as these sprockets are flame-cut and machined with the highest precision available on the market.

- **ANSI Standard Torch Profiles** – Engineered to promote the best life of your sprockets and chain.
- **Styles Available**
  - **A Type (no hub)** typically used in weld-on applications.
  - **B Type (hub on one side)** used in applications where clearance width is narrow. Typically have two (2) setscrews on the hub to fasten the sprocket to shaft and keyway.
  - **Split Style Construction** – Once you use a Split Sprocket, you may never want to use a setscrew mount style again. Removal or installation is a breeze. Can be used in virtually all applications. An additional benefit to Black Ace's split sprockets is that the shaft/keyway security is much tighter than a typical setscrew mount.
  - **Split Style Narrow Width** – Enjoy the benefits of split style construction and keep the total sprocket width only slightly wider than the sprocket tooth thickness.
  - **Hex Bore Split Style** – Used in equipment that uses hexagon shafts.
  - **Idler Style** – Assembled with a long-lasting Black Ace Ball Bearing.

# BELTED CHAIN SPROCKETS



**Black Ace** Belted Chain Sprockets are manufactured with the highest integrity. You will realize value, as these sprockets are flame-cut and machined with the highest precision available on the market.

- **Torch Profiles** – Engineered to promote the best life for your sprockets and chain, Black Ace Steel Cut sprockets maintain better pitch accuracy and perpendicularity over cast iron. This means longer sprocket and chain life.
- **Styles Available**
  - **A Type (no hub)** typically used in weld-on applications.
  - **Split Style Construction (hub on one side)** – Once you use a Split Sprocket, you may never want to use a setscrew mount style again. Removal or installation is a breeze. Can be used in virtually all applications. An additional benefit to Black Ace's split sprockets is that the shaft/keyway security is much tighter than a typical setscrew mount.
  - **Idler Style** – Assembled with long-lasting Black Ace Ball Bearings.
  - **Multiple Sprocket Thicknesses Available** – Standard sprocket thickness is 1", but some circumstances may require different thicknesses. Thicknesses are available from ½" to 2".
  - **Heat Treat** – Hardening of sprockets is available as an option. Hardness on hardened sprockets ranges from 50-60 Rc.

# OF TEETH	SPROCKET PATTERN	OUTSIDE DIAMETER
<b>BELTED CHAIN 7/16" ROD</b>		
<b>28MM PITCH (1.102") 7/16" (11MM) ROD</b>		
12	28M12	5.17
14	28M14	5.69
18	28M18	7.10
20	28M20	7.71
22	28M22	8.40
24	28M24	9.14
26	28M26	9.83
28	28M28	10.50
<b>32MM PITCH (1.260") 7/16" (11MM) ROD</b>		
8	32M8X	4.21
10	32M10	5.00
12	32M12	5.75
14	32M14	6.57
16	32M16	7.66
18	32M18	8.58
22	32M22	9.88
<b>36MM PITCH (1.417") 7/16" (11MM) ROD</b>		
8	36M8	4.66
10	36M10	5.35
11	36M11X	5.94
12	36M12	6.48
14	36M14	7.37
16	36M16	8.45
18	36M18	9.25
20	36M20	10.15
22	36M22	10.85
23	36M23X	11.29
<b>40MM PITCH (1.574") 7/16" (11MM) ROD</b>		
8	40M8	5.25
9	40M9X	5.56
10	40M10	6.06
12	40M12	7.32
12	40M12LTX	7.52
14	40M14	8.32
16	40M16	9.42
18	40M18	10.41
20	40M20	11.32

# OF TEETH	SPROCKET PATTERN	OUTSIDE DIAMETER
<b>42MM PITCH (1.654") 7/16" (11MM) ROD</b>		
8	42M8	5.57
9	42M9X	5.99
10	42M10	6.98
12	42M12	7.38
14	42M14	8.69
14	42M14LT	9.00
16	42M16	9.42
20	42M20	11.82
<b>45MM PITCH (1.771") 7/16" (11MM) ROD</b>		
8	45M8	5.75
8	45M8LT	6.06
9	45M9X	6.43
10	45M10	6.98
10	45M10LT	7.30
11	45M11X	7.45
12	45M12	8.10
14	45M14	9.22
16	45M16	10.33
18	45M18	11.53
20	45M20	12.56
22	45M22	13.65
<b>50MM PITCH (1.969") 7/16" (11MM) ROD</b>		
5	50M5X	4.40
6	50M6	5.02
8	50M8	6.29
10	50M10	7.62
11	50M11X	8.24
12	50M12	8.85
12	50M12LT	9.15
12	50M12ST	8.41
14	50M14	10.10
16	50M16	11.34
18	50M18	12.57
20	50M20	13.83
<b>56MM PITCH (2.205") 7/16" (11MM) ROD</b>		
6	56M6	5.556
7	56M7X	6.074
8	56M8	7.25
10	56M10	8.375
10	56M10LTX	9.1
12	56M12	9.75
14	56M14	11.236

# OF TEETH	SPROCKET PATTERN	OUTSIDE DIAMETER
60MM PITCH (2.362") 7/16" (11MM) ROD		
8	60M8	7.445
10	60M10	9.094
12	60M12	10.576
64MM PITCH (2.520") 7/16" (11MM) ROD		
8	64M8	8.03
9	64M9X	8.8482
10	64M10	9.5
66MM PITCH (2.598") 7/16" (11MM) ROD		
8	66M8	8.044
12	66M12	11.29
BELTED CHAIN 1/2" ROD		
28MM PITCH (1.102") 1/2" (12 & 13MM) ROD		
10	28M101	4.184
14	28M141	5.6521
16	28M161	6.4244
32MM PITCH (1.260") 1/2" (12 & 13MM) ROD		
12	32M121	5.734
14	32M141	6.508
16	32M161	7.4866
18	32M181	8.361
18	32M181X	8.361
22	32M221	9.666
22	32M221X	9.74
36MM PITCH (1.417") 1/2" (12 & 13MM) ROD		
10	36M101	5.588
12	36M121	6.4125
14	36M141	7.368
16	36M161	8.309
18	36M181	9.2875
40MM PITCH (1.574") 1/2" (12 & 13MM) ROD		
10	40M101	6.079
10	40M101X	5.997
12	40M121	7.2755
14	40M141	8.336
14	40M141X	8.336
16	40M161	9.25
42MM PITCH (1.654") 1/2" (12 & 13MM) ROD		
10	42M101	6.461
10	42M101X	6.411
12	42M121	7.313
14	42M141	8.687
16	42M161	9.7924
20	42M201	11.835

# OF TEETH	SPROCKET PATTERN	OUTSIDE DIAMETER
45MM PITCH (1.772") 1/2" (12 & 13MM) ROD		
8	45M81	5.6875
10	45M101	6.97
12	45M121	8.096
14	45M141	9.455
16	45M161	10.62
16	45M161STM	9.625
50MM PITCH (1.969") 1/2" (12 & 13MM) ROD		
8	50M81	6.231
8	50M81X	6.231
9	50M91MX	7.35
9	50M91X	7.03
10	50M101	7.704
10	50M101LTMX	8.125
10	50M101STX	7.2715
10	50M101X	7.75
12	50M121	8.98
12	50M121MX	8.98
12	50M121STX	8.48
12	50M121X	8.98
14	50M141	10.197
14	50M141X	10.197
16	50M161	11.376
56MM PITCH (2.205") 1/2" (12 & 13MM) ROD		
8	56M81	7.161
9	56M91MX	8.25
10	56M101	8.604
10	56M101LTMX	9
10	56M101LTX	9.007
10	56M101MX	8.5
10	56M101X	8.557
12	56M121	10.017
12	56M121LTX	10.391
12	56M121X	10.007
14	56M141	11.1
14	56M141LT	11.832
60MM PITCH (2.362") 1/2" (12 & 13MM) ROD		
8	60M81	7.382
10	60M101	9.0315
12	60M121	10.5135
16	60M161	13.101

# OF TEETH	SPROCKET PATTERN	OUTSIDE DIAMETER
64MM PITCH (2.362") 1/2" (12 & 13MM) ROD		
8	64M81	7.868
8	64M81LTMX	8.368
8	64M81MX	7.868
10	64M101	9.35
180MM PITCH (7.087") 1/2" (12 & 13MM) ROD		
6 EFFECTIVE, 12T	180M61	15.225
BELTED CHAIN 5/8" ROD		
32MM PITCH (1.260") 5/8" (15 & 16MM) ROD		
22	32M222	9.741
36MM PITCH (1.417") 5/8" (15 & 16MM) ROD		
20	36M202	10.204
40MM PITCH (1.575") 5/8" (15 & 16MM) ROD		
16	40M162	9.25
18	40M182	10.11
42MM PITCH (1.654") 5/8" (15 & 16MM) ROD		
14	42M142	8.639
45MM PITCH (1.772") 5/8" (15 & 16MM) ROD		
12	45M122	8.094
14	45M142	9.415
50MM PITCH (1.969") 5/8" (15 & 16MM) ROD		
8	50M82	6.106
8	50M82X	6.106
9	50M92X	6.7472
10	50M102X	7.507
12	50M122	8.855
16	50M162	11.2133
56MM PITCH (2.205") 5/8" (15 & 16MM) ROD		
8	56M82	7.23
8	56M82MX	7.1
8	56M82X	7.23
9	56M92MX	8.25
9	56M92X	7.9481
10	56M102	8.5721
10	56M102X	8.5721
12	56M122	9.875
12	56M122X	9.875
14	56M142	11.15
60MM PITCH (2.362") 5/8" (15 & 16MM) ROD		
12	60M122	10.4183
64MM PITCH (2.520") 5/8" (15 & 16MM) ROD		
8	64M82X	7.822
10	64M102	9.313

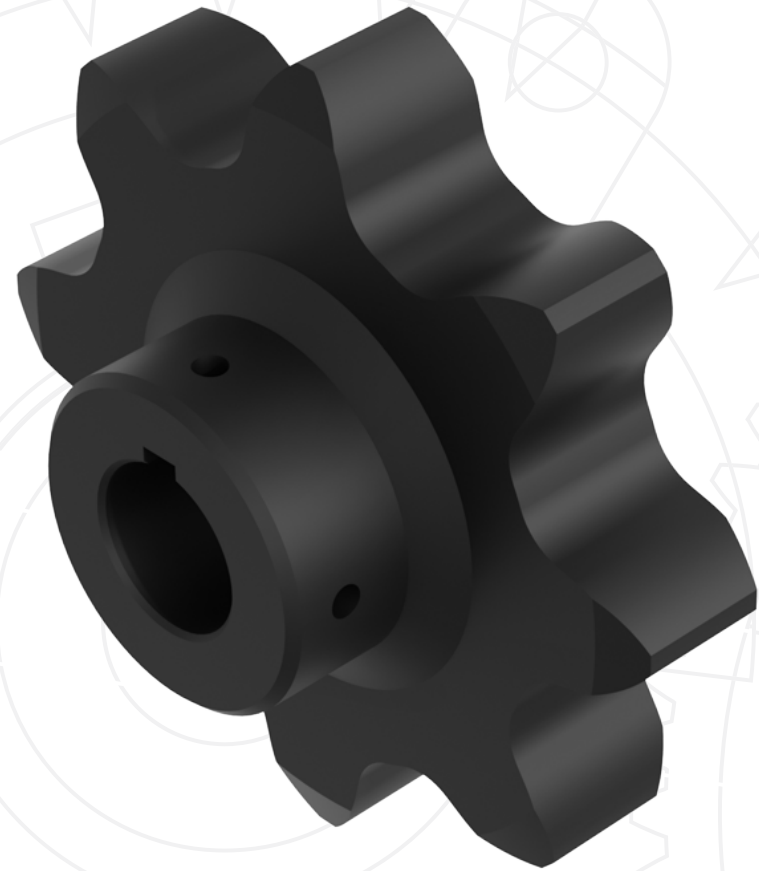
# OF TEETH	SPROCKET PATTERN	OUTSIDE DIAMETER
126MM PITCH (4.961") 5/8" (15 & 16MM) ROD		
6	126M6	11.662
6	126M6TX	11.7
8	126M8	14.15
128MM PITCH (5.039") 5/8" (15 & 16MM) ROD		
6	128M6	11.625
135MM PITCH (5.315") 5/8" (15 & 16MM) ROD		
5	135M5	10.808
6	135M6	12.5
6	135M6T	12.5
7	135M7X	14.3688
8	135M8X	16.667
150MM PITCH (5.906") 5/8" (15 & 16MM) ROD		
5	150M5	11.5
5	150M5T	11.5
6	150M6	13.65
6	150M6T	13.65
7	150M7	14.6
8	150M8	16.617
180MM PITCH (7.087") 5/8" (15 & 16MM) ROD		
5	180M5	13.6
5	180M5T	13.6
6	180M6	15.1
6	180M6T	15.315
200MM PITCH (7.874") 5/8" (15 & 16MM) ROD		
5	200M5	14.8
5	200M5X	14.968
BELTED CHAIN REVERSE DRIVE 7/16" ROD		
28MM PITCH (1.102") 7/16" (11MM) ROD – REVERSE DRIVE		
14	28M14RX	4.989
18	28M18RX	6.455
32MM PITCH (1.260") 7/16" (11MM) ROD – REVERSE DRIVE		
10	32M10RX	4.615
12	32M12RX	5.134
14	32M14RX	5.9871
16	32M16RX	6.875
36MM PITCH (1.417") 7/16" (11MM) ROD – REVERSE DRIVE		
10	36M10RX	4.965
12	36M12RX	5.82
16	36M16RX	7.6212
18	36M18RX	8.511

# OF TEETH	SPROCKET PATTERN	OUTSIDE DIAMETER
40MM PITCH (1.575") 7/16" (11MM) ROD – REVERSE DRIVE		
10	40M10RX	5.3925
12	40M12RX	6.6865
15	40M15RX	8.552
42MM PITCH (1.654") 7/16" (11MM) ROD – REVERSE DRIVE		
8	42M8RX	4.488
10	42M10RX	6.45
12	42M12RX	7.293
14	42M14RX	8.224
18	42M18RX	10.4824
45MM PITCH (1.772") 7/16" (11MM) ROD – REVERSE DRIVE		
8	45M8RX	5.043
9	45M9RX	5.763
10	45M10RX	6.574
12	45M12RX	7.612
14	45M14RX	8.802
50MM PITCH (1.969") 7/16" (11MM) ROD – REVERSE DRIVE		
8	50M8RX	5.733
10	50M10RX	7.26
12	50M12RX	8.543
14	50M14RX	9.796
56MM PITCH (2.205") 7/16" (11MM) ROD – REVERSE DRIVE		
10	56M10RX	7.8
12	56M12RX	9.404
BELTED CHAIN REVERSE DRIVE 1/2" ROD – REVERSE DRIVE		
28MM PITCH (1.102") 1/2" (12 & 13MM) ROD – REVERSE DRIVE		
22	28M22R1X	7.9961
32MM PITCH (1.260") 1/2" (12 & 13MM) ROD – REVERSE DRIVE		
12	32M12R1X	5.0134
22	32M22R1X	9.186
24	32M24R1X	9.802
36MM PITCH (1.417") 1/2" (12 & 13MM) ROD – REVERSE DRIVE		
12	36M12R1X	5.7575
14	36M14R1X	6.605
20	36M20R1X	9.319
40MM PITCH (1.417") 1/2" (12 & 13MM) ROD – REVERSE DRIVE		
10	40M10R1X	5.3
12	40M12R1X	6.8539
14	40M14R1X	7.85

# OF TEETH	SPROCKET PATTERN	OUTSIDE DIAMETER
45MM PITCH (1.772") 1/2" (12 & 13MM) ROD – REVERSE DRIVE		
8	45M8R1X	4.8805
9	45M9R1X	5.343
10	45M10R1X	6.3912
12	45M12R1X	7.5516
14	45M14R1X	8.711
50MM PITCH (1.969") 1/2" (12 & 13MM) ROD – REVERSE DRIVE		
8	50M8R1X	5.67
10	50M10R1X	7
12	50M12R1X	8.201
14	50M14R1X	9.525
16	50M16R1X	10.82
56MM PITCH (2.205") 1/2" (12 & 13MM) ROD – REVERSE DRIVE		
8	56M8R1X	6.558
10	56M10R1X	7.7267
12	56M12R1X	8.983
14	56M14R1X	10.6104
64MM PITCH (2.520") 1/2" (12 & 13MM) ROD – REVERSE DRIVE		
7	64M7R1X	6.461
8	64M8R1X	7.181
BELTED CHAIN REVERSE DRIVE 5/8" ROD		
36MM PITCH (1.417") 5/8" (15 & 16MM) ROD – REVERSE DRIVE		
14	36M14R2X	6.483
20	36M20R2X	9.194
40MM PITCH (1.575") 5/8" (15 & 16MM) ROD – REVERSE DRIVE		
10	40M10R2X	5.8248
50MM PITCH (1.969") 5/8" (15 & 16MM) ROD – REVERSE DRIVE		
8	50M8R2X	5.4819
56MM PITCH (2.205") 5/8" (15 & 16MM) ROD – REVERSE DRIVE		
8	56M8R2X	6.279
12	56M12R2X	8.983
64MM PITCH (2.205") 5/8" (15 & 16MM) ROD – REVERSE DRIVE		
7	64M7R2X	6.336
180MM PITCH (7.087") 5/8" (15 & 16MM) ROD – REVERSE DRIVE		
6	180M6RX	14.41

## NOTES | DRAWINGS

# COMBINATION CHAIN SPROCKETS

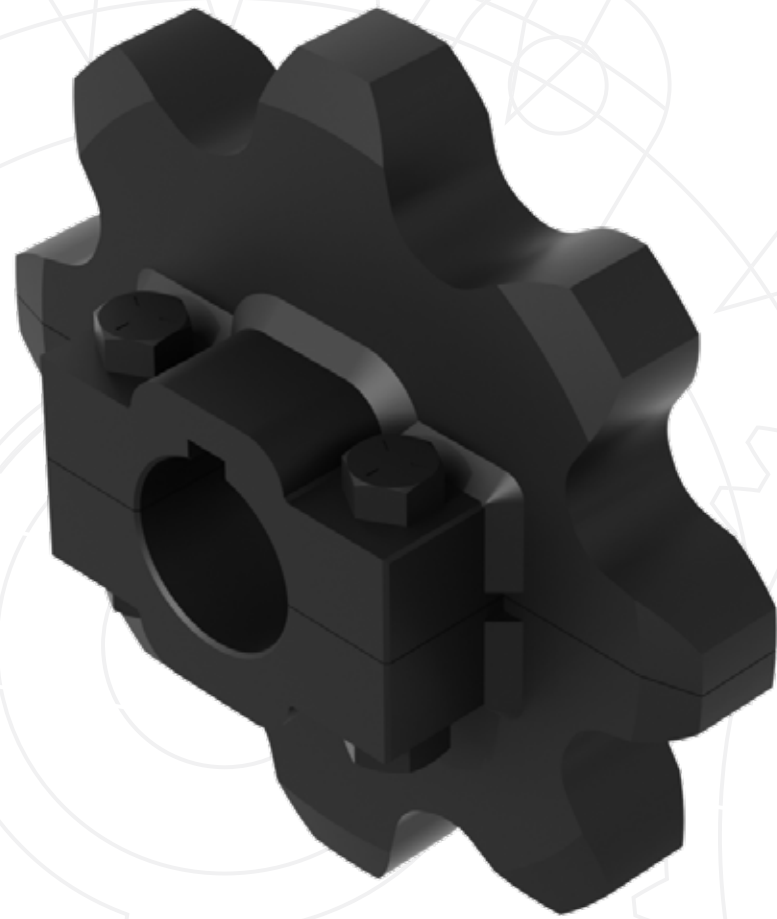


SPROCKET SERIES	C55	C60	C77	C188	C131	C102B
CHAIN PITCH (INCHES)	1.631	2.307	2.308	2.609	3.075	4
CHAIN ROLLER DIAMETER	.72"	.75"	.72"	.88"	1.250"	.97"
PLATE THICKNESS	5/8"	7/8"	5/8"	1"	1"	2"
COMMON DESIGNATIONS	C55 - C55L	C60	C77 - N77	C188 - BRH188 - C188M	C131	C102B - C102BM - N102B
NUMBER OF TEETH	PITCH DIAMETERS					
8	4.26	6.03	6.03	6.82	8.04	10.45
9	4.77	6.75	6.75	7.63	8.99	11.70
10	5.28	7.47	7.47	8.44	9.95	12.94
11	5.79	8.19	8.19	9.26	10.91	14.20
12	6.30	8.91	8.92	10.08	11.88	15.45
13	6.82	9.64	9.64	10.90	12.85	16.71
14	7.33	10.37	10.37	11.72	13.82	17.98
15	7.84	11.10	11.10	12.55	14.79	19.24
16	8.36	11.83	11.83	13.37	15.76	20.50
17	8.88	12.56	12.56	14.20	16.74	21.77
18	9.39	13.29	13.29	15.02	17.71	23.04
19	9.91	14.02	14.02	15.85	18.68	24.30
20	10.43	14.75	14.75	16.68	19.66	25.57
21	10.94	15.48	15.49	17.51	20.63	26.84
22	11.46	16.21	16.22	18.33	21.61	28.11
23	11.98	16.94	16.95	19.16	22.58	29.38
24	12.50	17.67	17.68	19.99	23.56	30.65
25	13.01	18.41	18.41	20.82	24.53	31.91
26	13.53	19.14	19.15	21.64	25.51	33.18
27	14.05	19.87	19.88	22.47	26.49	
28	14.57	20.60	20.61	23.30	27.46	
29	15.09	21.34	21.35	24.13	28.44	
30	15.60	22.07	22.08	24.96	29.42	
31	16.12	22.80	22.81	25.79	30.39	
32	16.64	23.54	23.55	26.62	31.37	
33	17.16	24.27	24.28	27.45	32.35	
34	17.68	25.00				
35	18.20	25.74				
36	18.71	26.47				
37	19.23	27.20				
38	19.75	27.94				
39	20.27	28.67				
40	20.79	29.40				

**Black Ace** Combination Chain Sprockets are manufactured with the highest integrity. You will realize value, as these sprockets are flame-cut and machined with the highest precision available on the market.

- **ASME Standard Torch Profiles** – Elongated Root Design promotes a self-cleaning effect of the root to keep your demanding applications moving.
- **A – B – C Hub Types**
  - **A Type (no hub)** typically used in weld-on applications.
  - **B Type (hub on one side)** used in applications where clearance width is narrow. More economical than C Type.
  - **C Type (hub on both sides)** used in applications where B Type is not wide enough to withstand torques produced by drive.
  - **Split Style Construction** – Once you use a Split Sprocket, you may never want to use a setscrew mount style again. Removal or installation is a breeze. Can be used in virtually all applications. An additional benefit to Black Ace's split sprockets is that the shaft/keyway security is much tighter than a typical setscrew mount.
  - **Hardening Available** – Flame hardening of sprockets is available as an option.

# DETACHABLE CHAIN SPROCKETS



SPROCKET SERIES	52	55	62	62H	67H	67W	67XH	70	72	S
CHAIN PITCH (INCHES)	1.508	1.63	1.654	1.654	2.313	2.313	2.313	2.013	2.205	2.906
CHAIN ROLLER DIAMETER	.606"	.640"	.670"	.684"	.896"	.856"	.926"	.818"	.818"	.818"
PLATE THICKNESS	5/8"	5/8"	7/8"	7/8"	1"	1"	1"	1"	1"	1"
NUMBER OF TEETH	PITCH DIAMETERS									
6	3.02	3.26	3.31	3.31	4.63	4.63	4.63	4.03	4.41	5.81
7	3.48	3.76	3.81	3.81	5.33	5.33	5.33	4.64	5.08	6.70
8	3.94	4.26	4.32	4.32	6.04	6.04	6.04	5.26	5.76	7.59
9	4.41	4.77	4.84	4.84	6.76	6.76	6.76	5.89	6.45	8.50
10	4.88	5.27	5.35	5.35	7.49	7.49	7.49	6.51	7.14	9.40
11	5.35	5.79	5.87	5.87	8.21	8.21	8.21	7.15	7.83	10.31
12	5.83	6.30	6.39	6.39	8.94	8.94	8.94	7.78	8.52	11.23
13	6.30	6.81	6.91	6.91	9.66	9.66	9.66	8.41	9.21	12.14
14	6.78	7.33	7.43	7.43	10.39	10.39	10.39	9.05	9.91	13.06
15	7.25	7.84	7.96	7.96	11.12	11.12	11.12	9.68	10.61	13.98
16	7.73	8.36	8.48	8.48	11.86	11.86	11.86	10.32	11.30	14.90
17	8.21	8.87	9.00	9.00	12.59	12.59	12.59	10.96	12.00	15.82
18	8.68	9.39	9.53	9.53	13.32	13.32	13.32	11.59	12.70	16.74
19	9.16	9.90	10.05	10.05	14.05	14.05	14.05	12.23	13.40	17.66
20	9.64	10.42	10.57	10.57	14.79	14.79	14.79	12.87	14.10	18.58

## NOTES | DRAWINGS

**Black Ace** Detachable Chain Sprockets are manufactured with the highest integrity. You will realize value, as these sprockets are flame-cut and machined with the highest precision available on the market.

- **ASME Standard Torch Profiles** – Elongated Root Design promotes a self-cleaning effect of the root to keep your demanding applications moving.
- **A – B – C Hub Types**
  - **A Type (no hub)** typically used in weld-on applications.
  - **B Type (hub on one side)** used in applications where clearance width is narrow. More economical than C Type.
  - **C Type (hub on both sides)** used in applications where B Type is not wide enough to withstand torques produced by drive.
- **Split Style Construction** – Once you use a Split Sprocket, you may never want to use a setscrew mount style again. Removal or installation is a breeze. Can be used in virtually all applications. An additional benefit to Black Ace's split sprockets is that the shaft/keyway security is much tighter than a typical setscrew mount.
- **Hardening Available** – Flame hardening of sprockets is available as an option.



# DOUBLE PITCH ROLLER CHAIN SPROCKETS



SPROCKET SERIES	2062	2082	2102	2122	2162
CHAIN PITCH (INCHES)	1.5	2	2.5	3	4
CHAIN ROLLER DIAMETER	0.875"	1.125"	1.563"	1.750"	2.250"
PLATE THICKNESS	7/16"	9/16"	11/16"	15/16"	1-5/32"
COMMON DESIGNATIONS	2062 – 2062H	2082 – 2082H	2102 – 2102H	2122 – 2122H	2162 – 2162H
NUMBER OF TEETH	PITCH DIAMETERS				
8	3.92	5.23	6.53	7.84	10.45
9	4.39	5.85	7.31	8.77	11.70
10	4.85	6.47	8.09	9.71	12.94
11	5.32	7.10	8.87	10.65	14.20
12	5.80	7.73	9.66	11.59	15.45
13	6.27	8.36	10.45	12.54	16.71
14	6.74	8.99	11.24	13.48	17.98
15	7.21	9.62	12.02	14.43	19.24
16	7.69	10.25	12.81	15.38	20.50
17	8.16	10.88	13.61	16.33	21.77
18	8.64	11.52	14.40	17.28	23.04
19	9.11	12.15	15.19	18.23	24.30
20	9.59	12.79	15.98	19.18	25.57

## NOTES | DRAWINGS

**Black Ace** Double Pitch Roller Chain Sprockets are manufactured with the highest integrity. You will realize value, as these sprockets are flame-cut and machined with the highest precision available on the market.

- **ANSI Standard Torch Profiles**
- **A – B – C Hub Types**
  - **A Type (no hub)** typically used in weld-on applications.
  - **B Type (hub on one side)** used in applications where clearance width is narrow. More economical than C Type.
  - **C Type (hub on both sides)** used in applications where B Type is not wide enough to withstand torques produced by drive.
- **Split Style Construction** – Once you use a Split Sprocket, you may never want to use a setscrew mount style again. Removal or installation is a breeze. Can be used in virtually all applications. An additional benefit to Black Ace's split sprockets is that the shaft/keyway security is much tighter than a typical setscrew mount.
- **Hardening Available** – Flame hardening of sprockets is available as an option.

# ENGINEERING CLASS CHAIN SPROCKETS ROLLERS



COMMON DESIGNATIONS
<b>62 SERIES</b>
62 - 62H - H62 - 072 - 162 - R362 - RR362 - R432 - RR432 - 962, LXS627 - IS620 - 162R - US622 - 378R - 402RX - US620
<b>78 SERIES</b>
78 - H74 - 75 - H75 - H78 - H79 - 88 - 188 - S188 - S78 - R588 - RR588 - R778 - RR778 - 988 - IS880 - 87R - IS881 - 81X - IS882 - LXS881 - LXS886 - US881 - LXS887 - LXS882 - 488 - XS578 - SS188 - C188 - US278R - US882 - 578R - 588R
<b>1568 SERIES</b>
1568 - AX1568 - JS3011 - SS568 - X568 - XX568 - 1803A - 1803AB - MXS3011 - IS3011 - IS3010 - US3011 - LXS3011 - LXS3011M

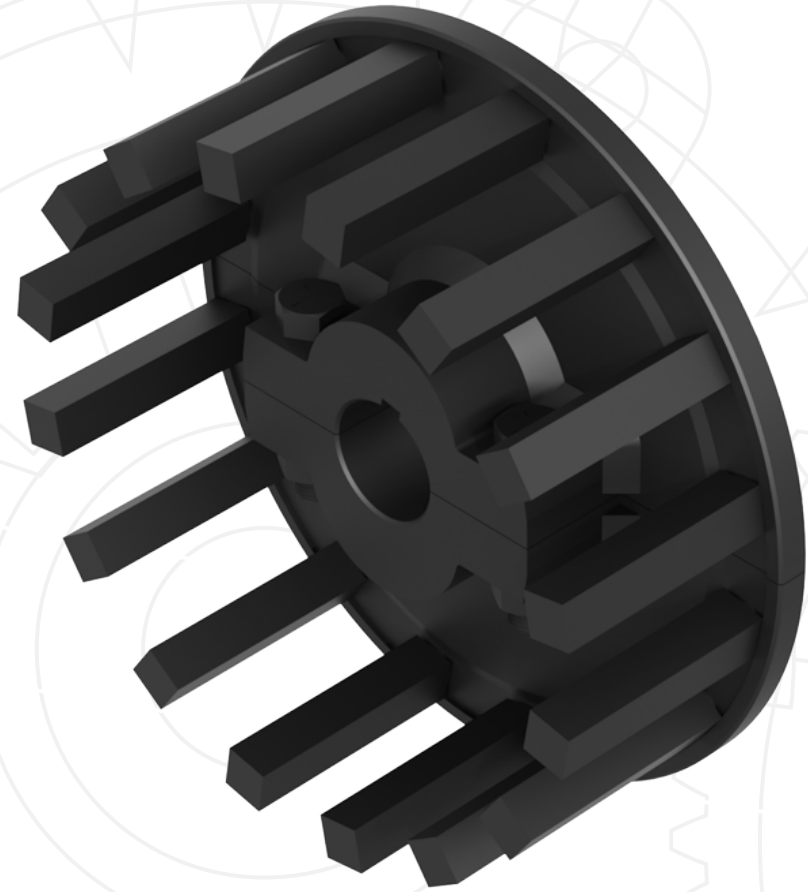
COMMON DESIGNATIONS
<b>1030 SERIES</b>
1030 - CHAMPION #3 - R1033 - R1035 - 1037 - 1539 - SS40 - LXS1031 - API3 - LXS1032 - SS40HYP - IS1030 - IS1031 - IS1032 - IS1037 - US1031 - 1190 - SXX - 1190R - US1032
<b>82 SERIES</b>
82 - H82 - WH82 - 103 - 131 - S131 - WS82 - WS82H - SS131 - 527R - 527RX - C9103 - 6131 - 4103 - C131 - 382
<b>238 SERIES</b>
238 - RX238 - IS3514J - 1616A - MXS3514 - LXS3514 - LXS3514M
<b>124 SERIES</b>
124 - H124 - W124 - WS124 - WR124 - WH124

SPROCKET SERIES	62	78	1568	1030	82	238	124
CHAIN PITCH (INCHES)	1.654	2.609	3.067	3.075	3.075	3.5	4
CHAIN ROLLER DIAMETER	13/16"	7/8"	1-5/8"	1-1/4"	1-7/32"	1-3/4"	1-1/2"
PLATE THICKNESS	3/4"	7/8"	1-1/4"	1-1/4"	1-1/8"	1-1/4"	1-1/2"
NUMBER OF TEETH	PITCH DIAMETERS						
8	4.32	6.82	8.01	8.04	8.04	9.15	10.45
9	4.84	7.63	8.97	8.99	8.99	10.23	11.70
10	5.35	8.44	9.93	9.95	9.95	11.33	12.94
11	5.87	9.26	10.89	10.91	10.91	12.42	14.20
12	6.39	10.08	11.85	11.88	11.88	13.52	15.45
13	6.91	10.90	12.82	12.85	12.85	14.62	16.71
14	7.43	11.72	13.78	13.82	13.82	15.73	17.98
15	7.96	12.55	14.75	14.79	14.79	16.83	19.24
16	8.48	13.37	15.72	15.76	15.76	17.94	20.50
17	9.00	14.20	16.69	16.74	16.74	19.05	21.77
18	9.53	15.02	17.66	17.71	17.71	20.16	23.04
19	10.05	15.85	18.63	18.68	18.68	21.26	24.30
20	10.57	16.68	19.61	19.66	19.66	22.37	25.57
21	11.10	17.51	20.58	20.63	20.63	23.48	26.84
22	11.62	18.33	21.55	21.61	21.61	24.59	28.11
23	12.15	19.16	22.52	22.58	22.58	25.70	29.38
24	12.67	19.99	23.50	23.56	23.56	26.81	30.65
25	13.20	20.82	24.47	24.53	24.53	27.93	31.91
26	13.72	21.64	25.44	25.51	25.51	29.04	33.18
27	14.25	22.47	26.42	26.49	26.49	30.15	
28	14.77	23.30	27.39	27.46	27.46	31.26	
29	15.30	24.13	28.37	28.44	28.44	32.37	
30	15.82	24.96	29.34	29.42	29.42	33.48	
31	16.35	25.79	30.32	30.39	30.39		
32	16.87	26.62	31.29	31.37	31.37		
33	17.40	27.45	32.27	32.35	32.35		
34	17.93	28.28					
35	18.45	29.11					
36	18.98	29.93					
37	19.50	30.76					
38	20.03	31.59					
39	20.56	32.42					
40	21.08	33.25					

**Black Ace** Engineering Class Sprockets are manufactured with the highest integrity. You will find value, as these sprockets are flame-cut and machined with the highest precision available on the market.

- **ASME Standard Torch Profiles** - Elongated Root Design promotes a self-cleaning effect of the root to keep your demanding applications moving.
- **A - B - C Hub Types**
  - **A Type (no hub)** typically used in weld-on applications.
  - **B Type (hub on one side)** used in applications where clearance width is narrow. More economical than C Type.
  - **C Type (hub on both sides)** used in applications where B Type is not wide enough to withstand torques produced by drive.
- **Split Style Construction** - Once you use a Split Sprocket, you may never want to use a setscrew mount style again. Removal or installation is a breeze. Can be used in virtually all applications. An additional benefit to Black Ace's split sprockets is that the shaft/keyway security is much tighter than a typical setscrew mount.
- **Hardening Available** - Flame hardening of sprockets is available as an option.

# HIGH PROFILE BELTED CHAIN SPROCKETS



**Black Ace** High Profile Belted Chain Sprockets are manufactured with the highest integrity. You will find value, as these sprockets are flame-cut and machined with the highest precision available on the market.

- Used in conjunction only with high profile belted chain
- Drives belted chain by extended lugs under belt runs
- Promotes rod life on chain
- No teeth protruding through belt rod run protects conveyed product from damage
- Split configuration is standard for easy installation or replacement
- Sprockets available without flange for mid belt runs
- Standards:
  - Flange Thickness: 3/8"
  - Drive COG Length: 2-9/16" (65MM)

# OF DRIVE COGS	APPROX. OUTER DIAMETER OF DRIVE CAGE	FLANGE DIAMETER	COG SIZE	MAX DIAMETER OF DRIVESHAFT
<b>35MM PITCH</b>				
14	5-1/2"	6-5/8"	1/2" SQ	1-1/2"
16	6-1/2"	7-9/16"	1/2" SQ	1-1/2"
17	7"	8"	1/2" SQ	2"
18	7-3/8"	8"	1/2" SQ	2"
20	8-1/8"	8-5/8"	1/2" SQ	2"
<b>40MM PITCH</b>				
10	4-1/2"	5-1/4"	1/2" SQ	1-1/2" (NON-SPLIT)
12	5-1/2"	6-1/4"	1/2" SQ	1-1/2"
14	6-1/2"	7-1/8"	1/2" SQ	1-1/2"
15	7-1/8"	7-9/16"	1/2" SQ	2"
16	7-3/4"	8-3/4"	1/2" SQ	2"
18	8-1/2"	9-9/16"	1/2" SQ	2"
<b>42MM PITCH</b>				
12	6-1/2"	5-1/2"	1/2" SQ	1-1/2"
16	7-3/4"	8-5/8"	1/2" SQ	2"
24	12"	13"	1/2" SQ	2"
<b>44MM PITCH</b>				
16	8-1/2"	9"	1/2" SQ	2"
<b>45MM PITCH</b>				
10	5"	6-1/8"	1/2" SQ	1-1/4"
12	6-1/8"	7-1/8"	1/2" SQ	1-1/2"
14	7-1/4"	8"	1/2" SQ	2"
16	8-1/2"	9-9/16"	1/2" SQ	2"
18	9-1/2"	11"	1/2" SQ	2"
<b>50MM PITCH</b>				
10	5-3/4"	7-1/8"	1/2" SQ	1-1/2"
12	7"	8-3/4"	1/2" SQ	2"
14	8-1/4"	10-1/4"	1/2" SQ	2"
16	9-1/2"	11"	1/2" SQ	2"
18	10-1/2"	11-1/4"	1/2" SQ	2"
<b>56MM PITCH</b>				
12	8"	9-9/16"	1/2" SQ	2"
<b>60MM PITCH</b>				
10	7-1/8"	8-1/4"	1/2" SQ	2"
12	8-1/2"	9-1/2"	1/2" SQ	2"
<b>28MM PITCH (EVERY OTHER PITCH DRIVEN)</b>				
16 COGS ON A 32 COG PITCH DIAMETER	10-3/4"	13-1/8"	3/8"WX1"D	2"
<b>35MM PITCH (EVERY OTHER PITCH DRIVEN)</b>				
14 COGS ON A 28 COG PITCH DIAMETER	11-3/4"	13"	3/8"WX1"D	2"

# HOOK CHAIN SPROCKETS



**Black Ace** Hook Chain Sprockets are manufactured with the highest integrity. You will realize value, as these sprockets are flame-cut and machined with the highest precision available on the market.

- **Torch Profiles** – Engineered to promote the best life for your sprockets and chain, Black Ace Steel Cut sprockets maintain better pitch accuracy and perpendicularity over cast iron. This means longer sprocket and chain life.

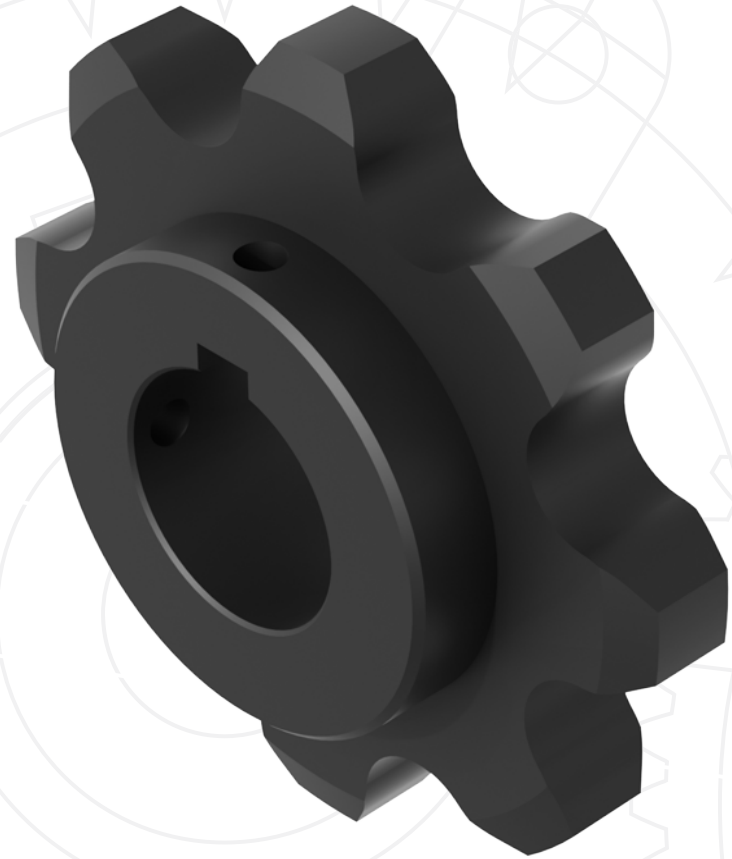
- **Styles Available**

- **A Type (no hub)** typically used in weld-on applications.
- **Split Style Construction (hub on one side)** – Once you use a Split Sprocket, you may never want to use a setscrew mount style again. Removal or installation is a breeze. Can be used in virtually all applications. An additional benefit to Black Ace's split sprockets is that the shaft/keyway security is much tighter than a typical setscrew mount.
- **Idler Style** – Assembled with long-lasting Black Ace Ball Bearings.
- **Multiple Sprocket Thicknesses Available** – Standard Sprocket thickness is 1", but some circumstances may require different thicknesses. Thicknesses are available from ½" to 2".
- **Heat Treat** – Hardening of sprockets is available as an option. Hardness on hardened sprockets ranges from 50-60 Rc.

# OF TEETH	SPROCKET PATTERN	OUTSIDE DIAMETER
<b>1.000" PITCH HOOK CHAIN</b>		
11	10011	4.28
12	10012	4.5
14	10014	5.15
18	10018	6.3125
<b>1.156" PITCH HOOK CHAIN</b>		
20	11520	8
<b>1.250" PITCH HOOK CHAIN</b>		
10	12510	4.535
11	12511	5.125
12	12512	5.5
13	12513	5.808
14	12514	6.187
15	12515	6.8248
16	12516	6.9375
18	12518	8.155
20	12520	8.93
22	12522	9.2
23	12523	10
26	12526	11.356
<b>1.375" PITCH HOOK CHAIN</b>		
8	1378	4.202
9	1379	4.5
10	13710	5.25
11	13711	5.65
12	13712	6
14	13714	6.8
16	13716	7.625
16	13716LT	8.2
18	13718	8.713
20	13720	9.696
<b>1.562" PITCH HOOK CHAIN</b>		
8	1568	5
9	1569	5.5
10	15610	6
11	15611	6.5
12	15612	7
13	15613	8
14	15614	8.125
14	15614LT	8.8
15	15615	8.653
16	15616	9.43
18	15618	10.225
20	15620	10.922
24	15624	12.8919
<b>1.625" PITCH HOOK CHAIN</b>		
9	1629	5.7
10	16210	6.2
12	16212	7.229
14	16214	8.405

# OF TEETH	SPROCKET PATTERN	OUTSIDE DIAMETER
<b>1.750" PITCH HOOK CHAIN</b>		
7	1757	4.883
8	1758	5.273
9	1759	6.375
10	17510	7.015
10	17510LP	6.4
12	17512	8.5
14	17514	9.695
16	17516	10.415
18	17518	11.128
20	17520	12.937
<b>1.875" PITCH HOOK CHAIN</b>		
7	1887	5.213
8	1888	6.312
9	1889	7
10	18810	7.687
12	18812	8.75
14	18814	10.1
<b>2.000" PITCH HOOK CHAIN</b>		
7	2007	5.6
8	2008	6.625
9	2009	7.528
10	20010	8.16
12	20012	9.5
14	20014	10.625
16	20016	11.875
<b>2.250" PITCH HOOK CHAIN</b>		
6	2256	6.2
7	2257	6.875
8	2258	7.578
9	2259	8.25
10	22510	9.131
11	22511	9.849
12	22512	10.143
13	22513	11.5
14	22514	11.125
<b>2.375" PITCH HOOK CHAIN</b>		
8	2378	7.375
9	2379	8.187
10	23710	9.08
12	23712	10.41
<b>2.500" PITCH HOOK CHAIN</b>		
6	2506	6.768
7	2507	7.2
8	2508	8.5
9	2509	8.76
10	25010	9.7
12	25012	11.02

# PINTLE CHAIN SPROCKETS



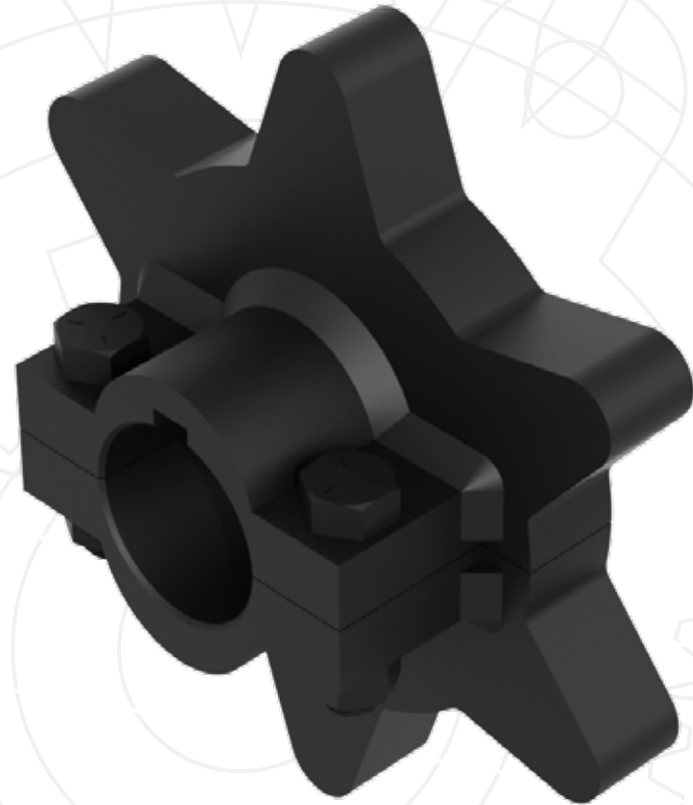
# OF TEETH	SPROCKET PATTERN	OUTSIDE DIAMETER
662		
6	6626	4.058
7	6627	4.565
8	6628	5.078
9	6629	5.595
10	66210	6.115
11	66211	6.636
12	66212	7.159
13	66213	7.683
14	66214	8.208
15	66215	8.733
16	66216	9.259
17	66217	9.786
18	66218	10.313
19	66219	10.84
20	66220	11.367
667X		
6	6676	5.447
7	6677	6.132
8	6678	6.827
9	6679	7.526
10	66710	8.228
11	66711	8.933
12	66712	9.64
13	66713	10.349
14	66714	11.058
15	66715	11.769
16	66716	12.48
17	66717	13.192
18	66718	13.904
19	66719	14.617
20	66720	15.33
88K		
6	88K6	6.29
7	88K7	7.085
8	88K8	7.89
9	88K9	8.7
10	88K10	9.515
11	88K11	10.333
12	88K12	11.152
13	88K13	11.974

# OF TEETH	SPROCKET PATTERN	OUTSIDE DIAMETER
88K		
14	88K14	12.797
15	88K15	13.621
16	88K16	14.445
17	88K17	15.271
18	88K18	16.096
19	88K19	16.923
20	88K20	17.75
667K		
6	667K6	5.454
7	667K7	6.215
8	667K8	6.951
9	667K9	7.65
10	667K10	8.353
11	667K11	9.058
12	667K12	9.765
13	667K13	10.474
14	667K14	11.183
15	667K15	11.894
16	667K16	12.605
17	667K17	13.317
18	667K18	14.029
19	667K19	14.742
20	667K20	15.455
667H		
6	667H6	5.511
7	667H7	6.216
8	667H8	6.929
9	667H9	7.648
10	667H10	8.37
11	667H11	9.095
12	667H12	9.822
13	667H13	10.55
14	667H14	11.28
15	667H15	12.001
16	667H16	12.741
17	667H17	13.473
18	667H18	14.205
19	667H19	14.938
20	667H20	15.671

**Black Ace** Pintle Chain Sprockets are manufactured with the highest integrity. You will realize value, as these sprockets are flame-cut and machined with the highest precision available on the market.

- **ASME Standard Torch Profiles** – Elongated root design promotes a self-cleaning effect of the root, to keep your demanding applications moving.
- **Torch Profiles** – Engineered to promote the best life for your sprockets and chain, Black Ace Steel Cut sprockets maintain better pitch accuracy and perpendicularity over cast iron. This means longer sprocket and chain life.
- **A – B – C Hub Types**
  - **A Type (no hub)** typically used in weld-on applications.
  - **B Type (hub on one side)** used in applications where clearance width is narrow. More economical than C Type.
  - **C Type (hub on both sides)** used in applications where B Type is not wide enough to withstand torques produced by drive.
- **Split Style Construction** – Once you use a Split Sprocket, you may never want to use a solid style again. Removal or installation is a breeze. Can be used in virtually all applications. An additional benefit to Black Ace's split sprockets is that the shaft/keyway security is much tighter than a typical setscrew mount.
- **Hardening Available** – Flame hardening of sprockets is available as an option.

# T-BAR CHAIN SPROCKETS



SPROCKET SERIES	67T
CHAIN PITCH (INCHES)	2.56
CHAIN ROLLER DIAMETER	1.187"
PLATE THICKNESS	3/4"
CHAIN DESIGNATIONS	T67 – 67 T-BAR
NUMBER OF TEETH	PITCH DIAMETER
6	5.12
7	5.90
8	6.69
9	7.48
10	8.28
11	9.09
12	9.89
13	10.70
14	11.50
15	12.31
16	13.12
17	13.93
18	14.74
19	15.55
20	16.36

**Black Ace** Sprockets play an integral role when conveying product. Whether it's on an assembly line that runs 24/7 or an agricultural harvester used annually, production halts when sprockets don't perform.

- **ASME Standard Torch Profiles** – Elongated root design promotes a self-cleaning effect of the root, to keep your demanding applications moving.
- **A – B – C Hub Types**
  - **A Type (no hub)** typically used in weld-on applications.
  - **B Type (hub on one side)** used in applications where clearance width is narrow. More economical than C Type.
  - **C Type (hub on both sides)** used in applications where B Type is not wide enough to withstand torques produced by drive.
- **Split Style Construction** – Once you use a Split Sprocket, you may never want to use a setscrew mount style again. Removal or installation is a breeze. Can be used in virtually all applications. An additional benefit to Black Ace's split sprockets is that the shaft/keyway security is much tighter than a typical setscrew mount.
- **Hardening Available** – Flame hardening of sprockets is available as an option.

## SPECIALTY SPROCKETS

**Black Ace** produces various specialty sprockets used across multiple industries. Original equipment manufacturers trust Black Ace to produce sprockets that require accuracy, consistency, and value. We would be happy to quote your application! Contact us or visit [BlackAceParts.com](http://BlackAceParts.com) to learn more.



# — Additional Products —



Idler Wheel Rollers



Sprockets



Chain Tensioners



Chain Idlers



Torque Limiter Clutches



Articulating Hitches



Bearing Protectors



Friction Drive Rollers



Shakers



CNH Enhancements



Steel Pillow Blocks

## TEROG MANUFACTURING



Terog Manufacturing builds quality Black Ace® parts for a wide variety of original equipment, as well as a large selection of replacement parts. Family-owned and -operated since 1971, Terog Manufacturing is a specialist in improving equipment performance and profitability.



[blackaceparts.com](http://blackaceparts.com) 387 Atlantic Ave. | P.O. Box 587 | Stephen, MN 56757 218.478.3395 | 800.423.3918